

with independent sideshift - rubber coated - both arms swivelling - 2 hydraulic functions

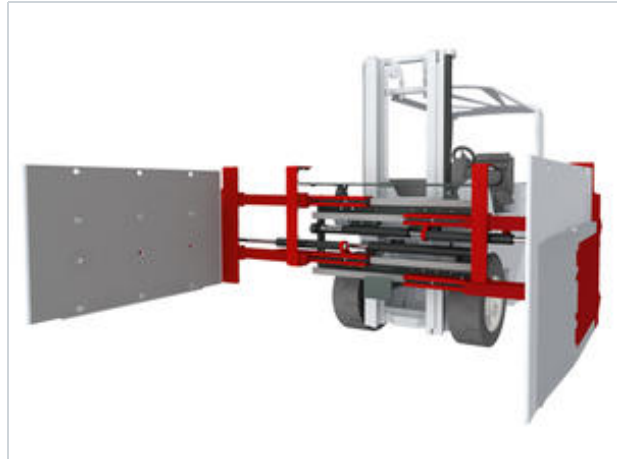
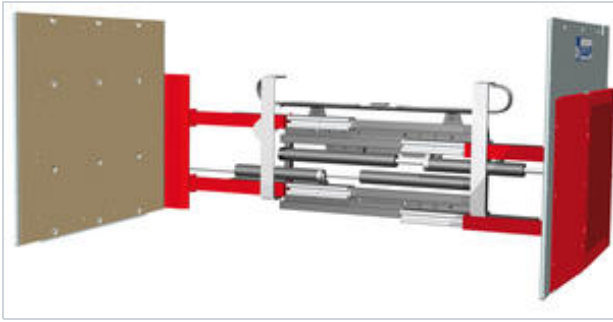
Technical Data

Model	Cap. kg	LCD mm	S mm	A mm	B mm	D mm	E mm	G mm	ISO	V mm	CofG Z mm	Weight kg	Price 人民币
2T414GT-1L	1.250	700	±100	480-2.740	1.330	1.050	60	1.380	2	276	401	930	On request
3T414GT-1L	1.800	700	±100	480-2.740	1.330	1.050	60	1.380	3	276	395	955	On request

Add-on price for 100mm armlength / -height on request,
Possible with automatic pressure selection (upon request)
For contact pad coatings see accessories in the pricelist.
Also available without sideshift, model T404GT-1L
Load Backrest see model T179.



Telescopic Appliance- / Carton Clamp T414GT-1L



Specification:

The KAUP Telescopic Appliance-/Carton

Clamp T414GT-1L is equipped with parallel running contact pads. The long, slender clamp arms predestine this attachment for the truck and container loading.

Qualities:

- Good visibility conditions
- Independent sideshift serially
- Load backrest optionally